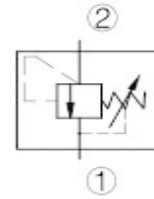
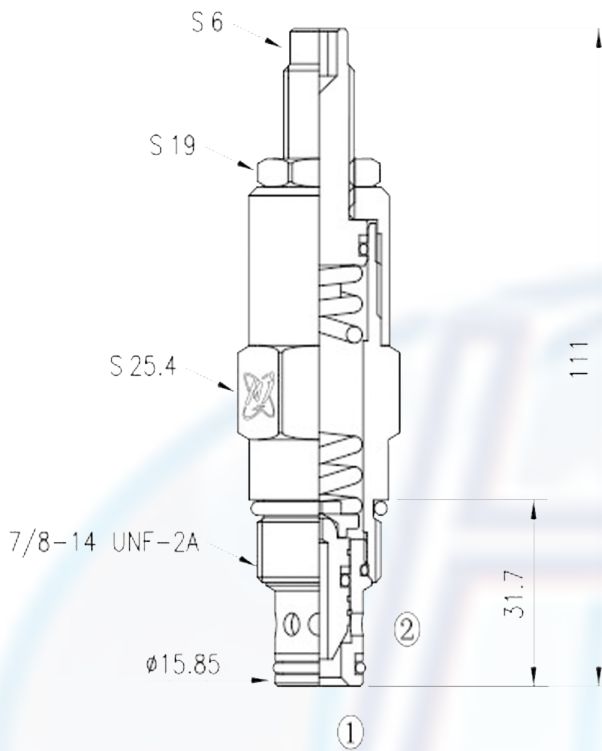


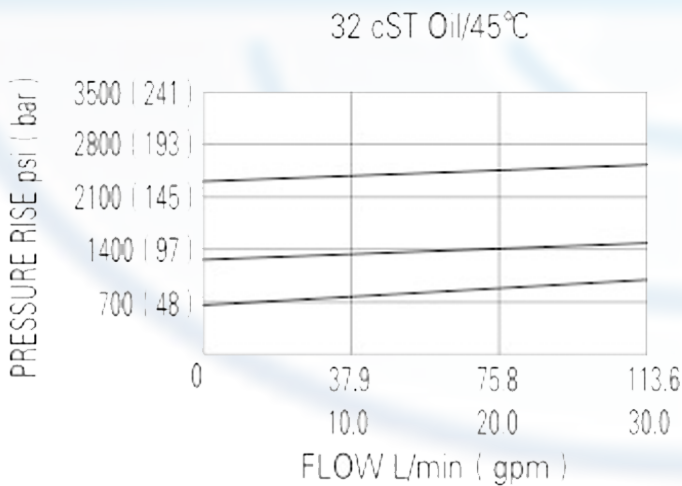
DRV - 10



SPECIFICATION:

Max working pressure:	210bar
Flow max:	see performant chart
Internal leakage:	<10cc/min/210bar
Filtration of oil:	25m or better
Temperature:	-30 ~ +110°C
Cavity:	10 - 2
Installatin torque:	35 ~ 40Nm

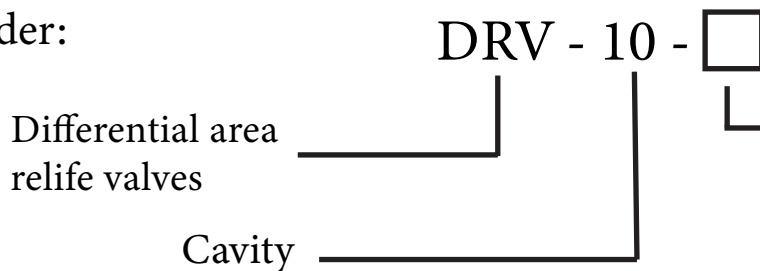
PERFORMANCE



The valve prevents flow from 2 to 1 until the set crack pressure at 2 is achieved.

The poppet then unseats allowing flow from 2 to 1 protecting the circuit from over pressurization.

to order:



PRESS RANGE:

- 08 = 10 ~ 80bar, preset : 40bar
- 15 = 20 ~ 150bar, preset : 80bar
- 21 = 30 ~ 210bar, preset : 120bar