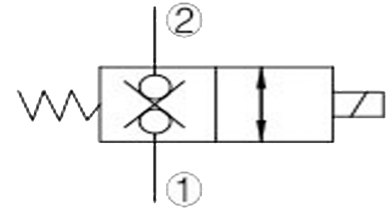
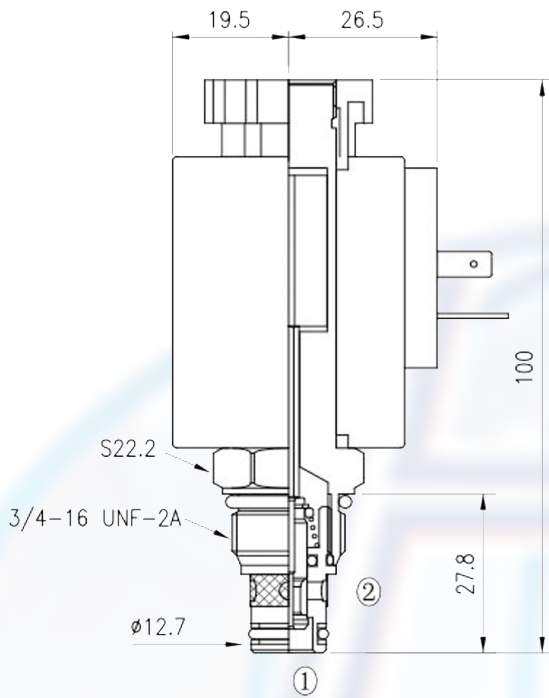


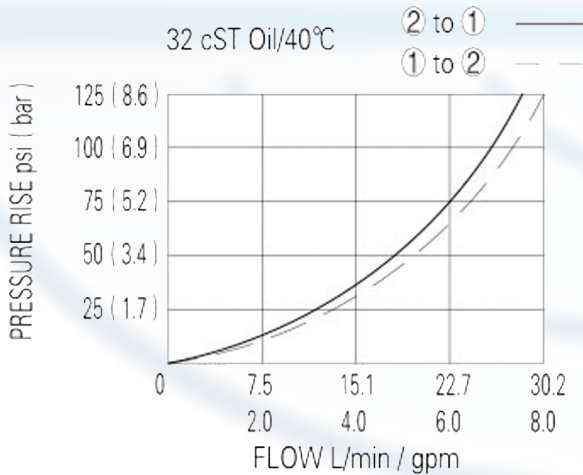
SV - 08 - 2NCSPL



SPECIFICATION:

- Max working pressure: 250bar
 - Flow max: see performant chart
 - Internal leakage: 1 drops/min / 210bar
 - Filtration of oil: 25m or better
 - Temperature: -30 ~ +100°c
 - Cavity: 08 - 2
 - Installatin: 25 ~ 28Nm
 - Coil rating: 85% ~110%
- Continuous from 85% to 110% of rated voltage

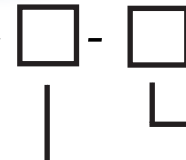
PERFORMANCE



When de-energized, the valve blocks flow in both directionals, when energized, allowing flow from 2 to 1 and 1 to 2

to order: **SV - 08 - 2NCSPL**

cavity
function



coil connection:
D = Double Lead
H = Hirschmann

voltage:

- 12 = 12V DC
- 24 = 24V DC
- 110 = 110V AC
- 220 = 220V AC