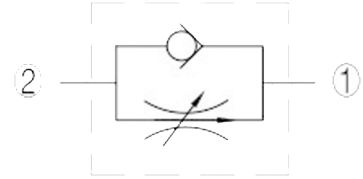
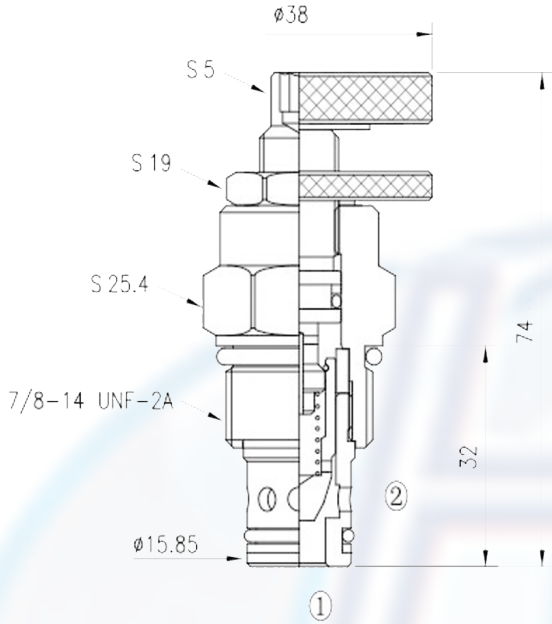


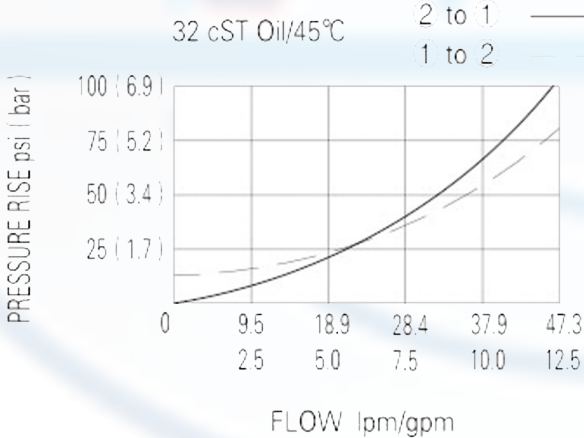
FC - 10



SPECIFICATION:

Max working pressure:	240bar
Flow max:	see performant chart
Internal leakage:	5 drops/min
Filtration of oil:	25m or better
Temperature:	-30 ~ +110°C
Cavity:	10 - 2
Installatin torque:	34 ~ 37Nm

PERFORMANCE



The valve varies flow restriction by adjusting needle in or out. flow is metered from 2 to 1. free reverse flow is from 1 to 2

to order:

Adjustable restriction valves with reverse flow check

Cavity

FC - 10 -

M = hand wheel. (Omit for standard).