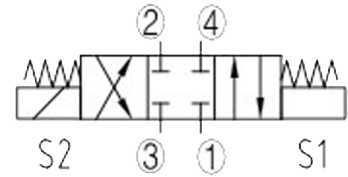
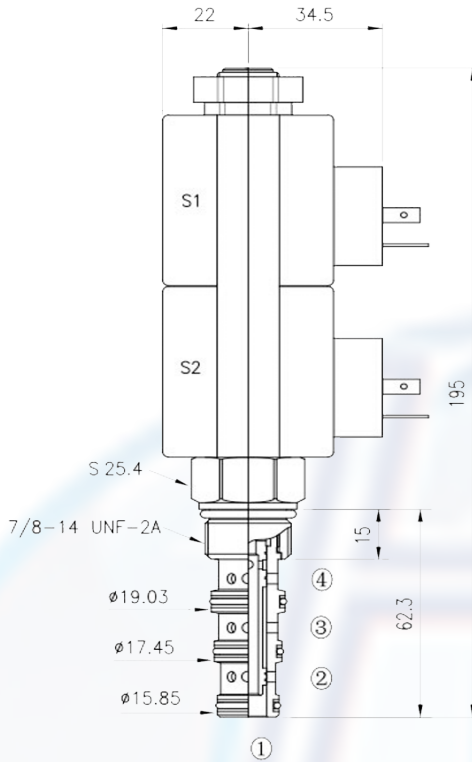


SV - 10 - 340

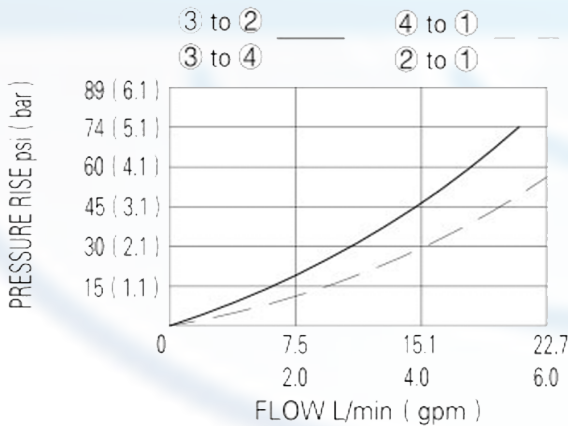


SPECIFICATION:

- Max working pressure: 210bar
- Flow max: see performant chart
- Internal leakage: <120cc/min / 210bar
- Filtration of oil: 25m or better
- Temperature: -30 ~ +110°C
- Cavity: 10 - 4
- Installatin torque: 34 ~ 37Nm
- Coil rating: 85% ~110%

Continuous from 85% to 110% of rated voltage

PERFORMANCE 32 cST Oil/45°C



When de-energized, the valve prevents flow at all ports.

when the upper solenoid is energized, the valve allows flow between the 4 and 1 ports and the 3 and 2 ports.

when the lower solenoid is energized, the valve allows flow between the 2 and 1 ports and the 3 and 4 ports

to order:

SV - 10 - 340 - -

coil connection:

- D = Double Lead
- H = Hirschmann

voltage:

- 12 = 12V DC
- 24 = 24V DC
- 110 = 110V AC
- 220 = 220V AC