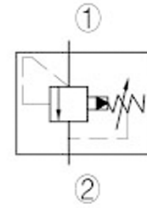
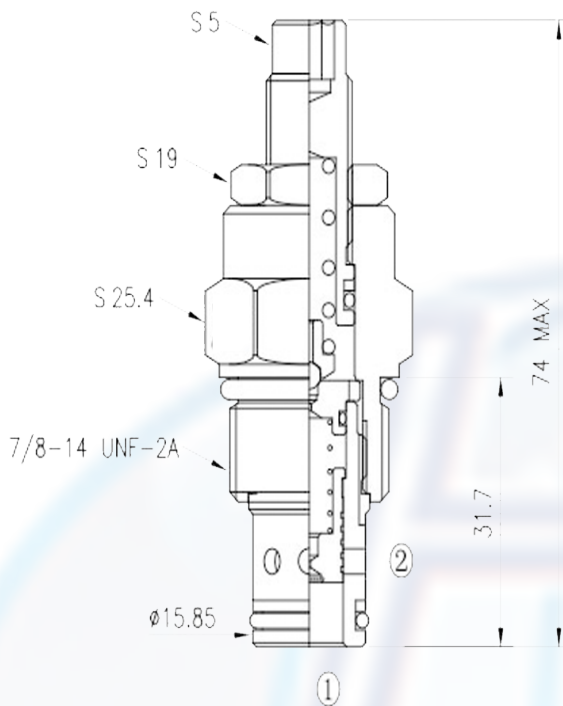


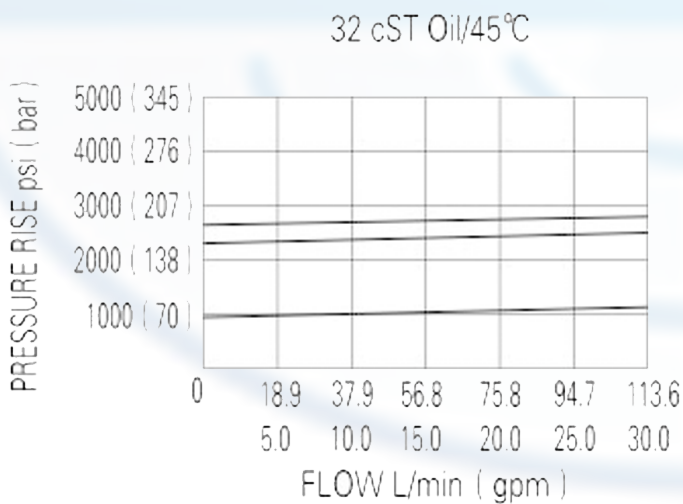
PSRV3 - 10



SPECIFICATION:

Max working pressure:	350bar
Flow max:	see performant chart
Internal leakage:	<70cc/min/350bar
Filtration of oil:	25m or better
Temperature:	-30 ~ +110°C
Cavity:	10 - 2
Installatin torque:	34 ~ 37Nm

PERFORMANCE



The valve prevents flow from 1 to 2 until pressur at 1 exceeds the set crack pressure and open the pilot section.

the pilot flow creates a pressure differential across the spool which causes the valve to open allowing flow from 1 to 2 protecting the circuit from over pressurization.

to order:

PSRV3 - 10 -

Pilot-operated
relife valves.

Cavity

PRESS RANGE:

08 = 10 ~ 85bar, preset : 80bar

16 = 45 ~ 170bar, preset : 160bar

35 = 85 ~ 345bar, preset : 160bar