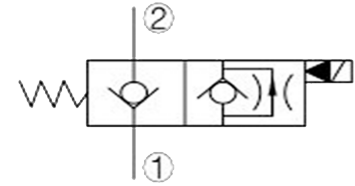
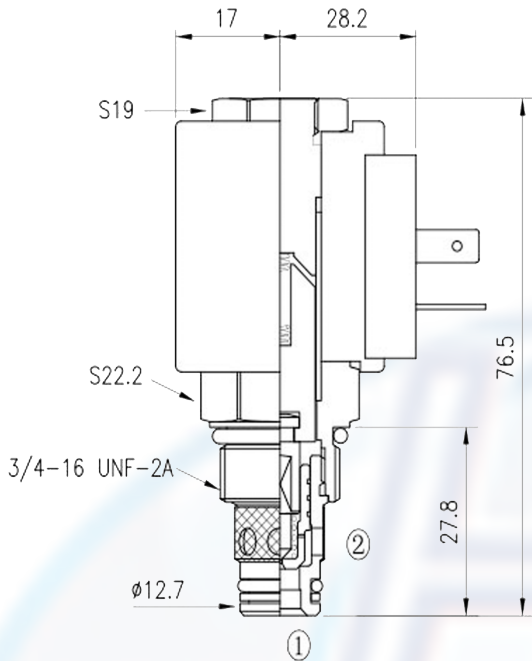




# SV2 - 08 - 2NCP

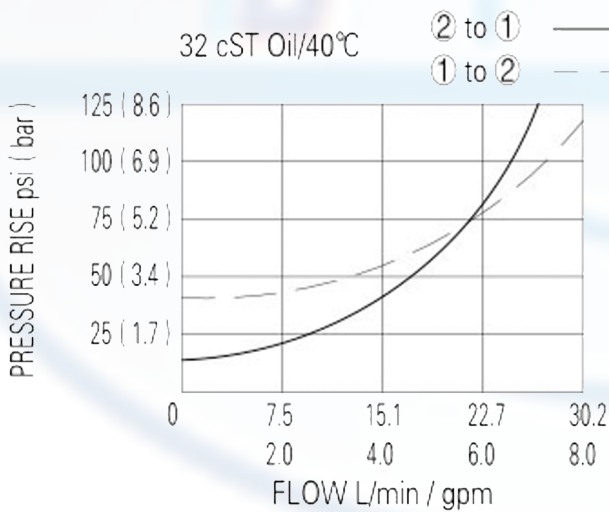


### SPECIFICATION:

- Max working pressure: 250bar
- Flow max: see performant chart
- Internal leakage: 2 drops/min / 210bar
- Filtration of oil: 25m or better
- Temperature: -30 ~ +100c
- Cavity: 08 - 2
- Installatin: 25 ~ 28Nm
- Coil rating: 85% ~ 110%

Continuous from 85% to 110% of rated voltage

### PERFORMANCE



‘when de-energized, the valve acts as a check valve, allowing flow from 1 to 2, while blocking flow from 2 to 1;  
when energized, allowing flow from 2 to 1 while 1 to 2 is serverly ristricted

to order: **SV2 - 08 - 2NCP -  -**

cavity       function

coil connection:       voltage:

- 12 = 12V DC
  - 24 = 24V DC
  - 110 = 110V AC
  - 220 = 220V AC
- D = double lead  
H = hirschmann