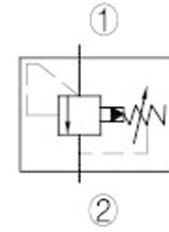
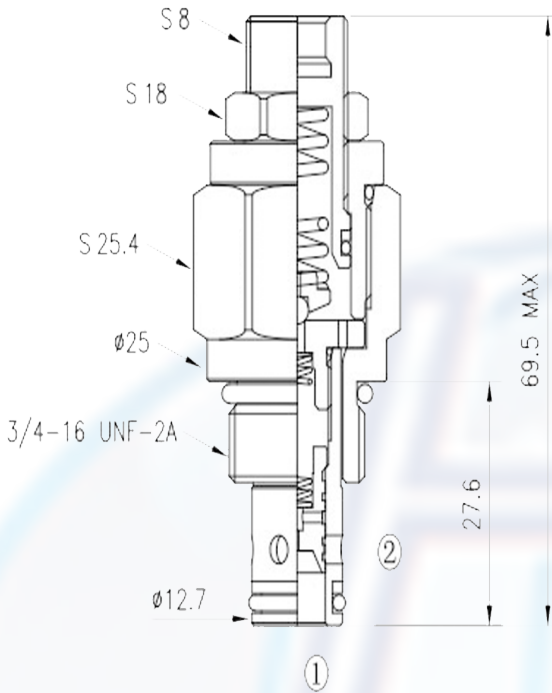


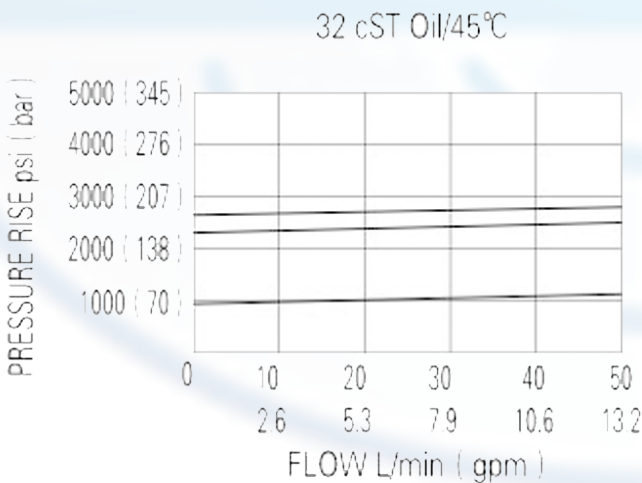
PSRV2 - 08



SPECIFICATION:

- Max working pressure: 350bar
- Flow max: see performant chart
- Internal leakage: <70cc/min/350bar
- Filtration of oil: 25m or better
- Temperature: -30 ~ +110°C
- Cavity: 08 - 2
- Installatin torque: 25 ~ 28Nm

PERFORMANCE



The valve prevents flow from 1 to 2 until pressur at 1 exceeds the set crack pressure and open the pilot section.

the pilot flow creates a pressure differential across the spool which causes the valve to open allowing flow from 1 to 2 protecting the circuit from over pressurization.

to order:

PSRV2 - 08 -

Pilot-operated relief valves.

Cavity

PRESS RANGE:

- 10 = 5.5 ~ 103bar, preset : 80bar
- 12 = 5.5 ~ 207/125bar, preset : 160bar
- 20 = 5.5 ~ 350bar, preset : 160bar