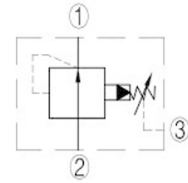
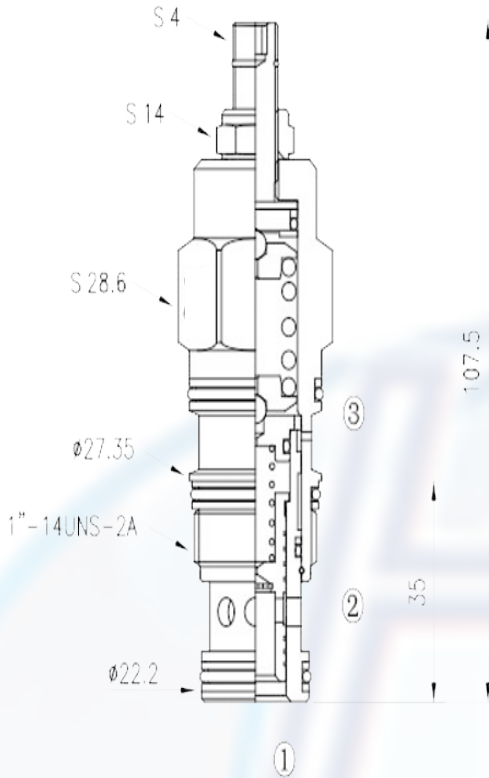




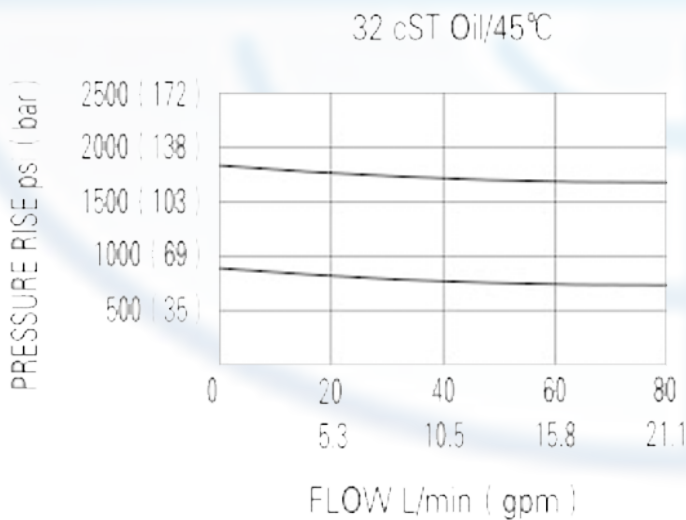
TPBFB - - -



SPECIFICATION:

- Max working pressure: 350bar
- Flow max: see performant chart
- Internal leakage: <250cc/min/210bar
- Filtration of oil: 25m or better
- Temperature: -30 ~ +110°C
- Cavity: T - 2A
- Installatin torque: 60 ~ 70Nm

PERFORMANCE



Pilot-operated, pressure reducing valves reduce a high primary pressure at the inlet (port 2) to a constant reduced pressure at port 1, allowing circuits with multiple pressure requirements to be operated using a single pump.

pressure at port 3 is directly setting at a 1:1 ratio and should not exceed 4500 psi (315 bar).

Minimum setting is 75 psi (5 bar) for all spring ranges.

to order:

TPBFB - - -

Pilot-operated pressure reducing valves

L = standard screw adjustment

SPRING RANGE:

- A = 7 ~ 210bar
- B = 3.5 ~ 105bar
- N = 4 ~ 55bar
- Q = 4 ~ 25bar
- W = 10 ~ 315bar

SEAL KITS:

- N = buna
- V = viton

factory pressure : 14 bar