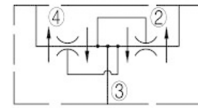
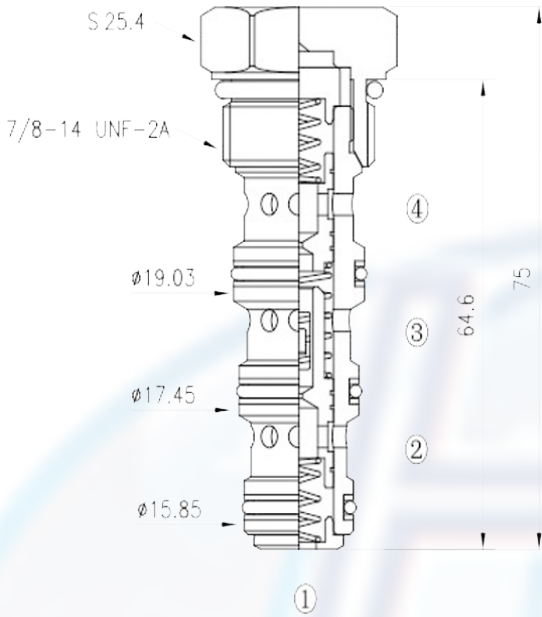


FD - 10

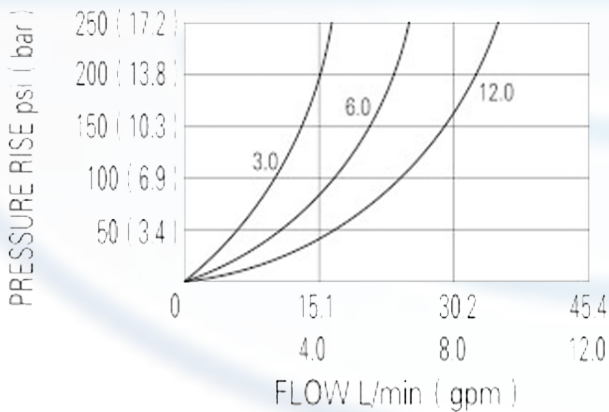


SPECIFICATION:

Max working pressure:	240bar
Flow settings:	see performance chart
Filtration of oil:	25m or better
Temperature:	-30 ~ +110°C
Cavity:	10 - 4
Installatin torque:	34 ~ 37Nm

PERFORMANCE

32 cST Oil/45°C



In the dividing mode, the valve will divert input flow from port 3 to ports 2 and 4. basedon the ratio specified, regardless of operating pressure. When the the flowdirection is reversed the valve will combine flows from 2 and 4 to 3 port. Synchronizing flow is provided in both the dividing and combining modes at “bottomed” conditions in cylinder appli-cations and at “stalled” conditions in motor applications.

to order:

FD - 10 -

Flow divider/combiner valve

Cavity

FLOW OPTIONS:
M3.0 = 11.4L/min
M6.0 = 22.7L/min
M12.0 = 45.4L/min