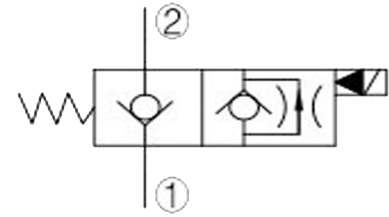
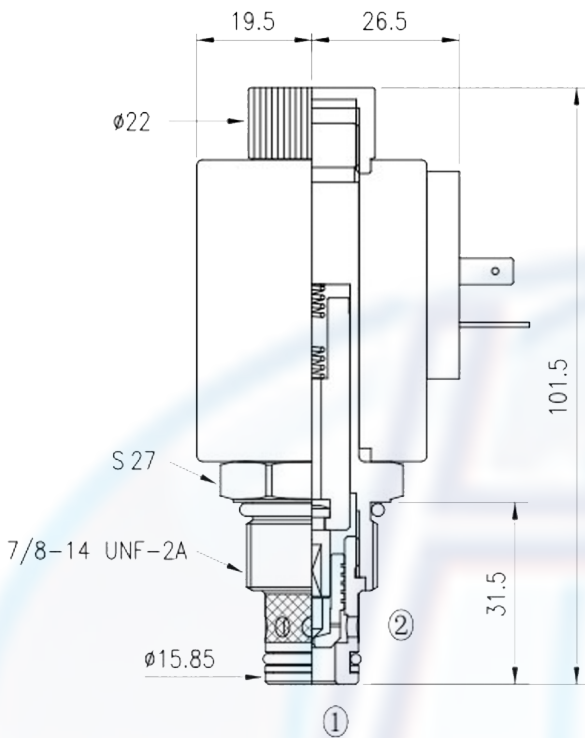


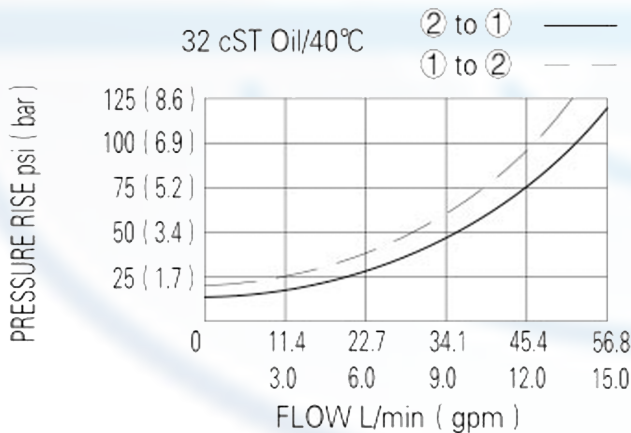
SV - 10 - 2NCP



SPECIFICATION:

- Max working pressure: 280bar
 - Flow max: see performant chart
 - Internal leakage: 3 drops/min / 210bar
 - Filtration of oil: 25m or better
 - Temperature: -30 ~ +100°C
 - Cavity: 10 - 2
 - Installatin: 34 ~ 37Nm
 - Coil rating: 85% ~ 110%
- Continuous from 85% to 110% of rated voltage

PERFORMANCE



When de-energized, the valve acts as a check valve, allowing flow from 1 to 2, while blocking flow from 2 to 1; when energized, allowing flow from 2 to 1, while 1 to 2 is serverly restrited

to order:

SV2 - 10 - 2NCP - -

cavity
function

voltage:

- 12 = 12V DC
- 24 = 24V DC
- 110 = 110V AC
- 220 = 220V AC

coil connection:

- D = Double Lead
- H = Hirschmann