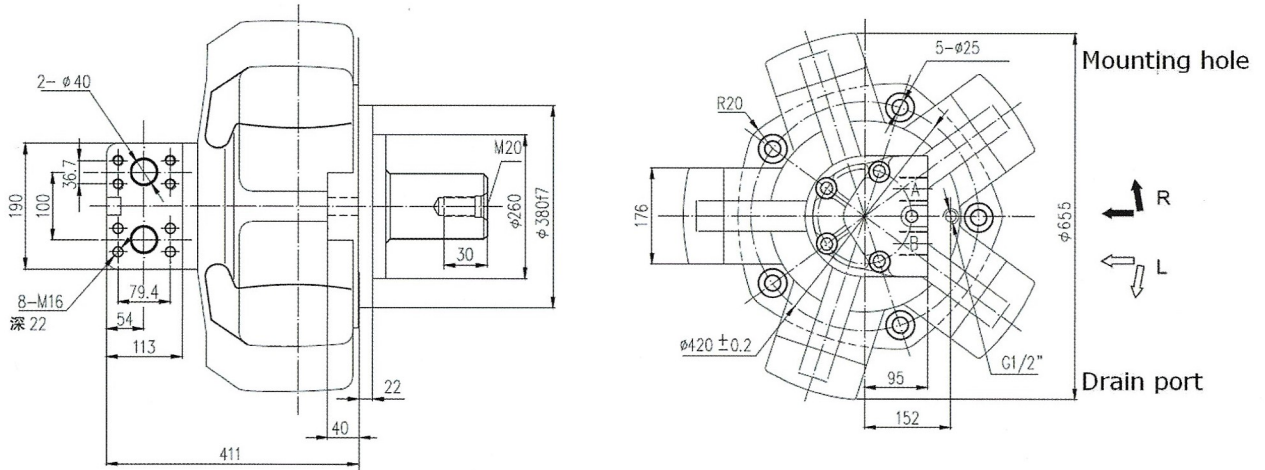


Other popular name : NHM/IHM/JMDG-31

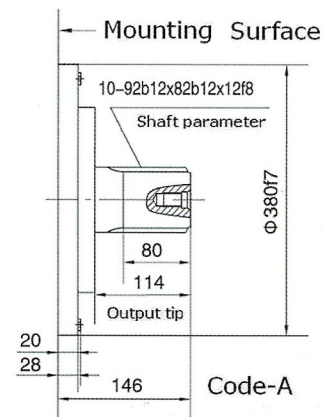
Installation



Shaft Selection

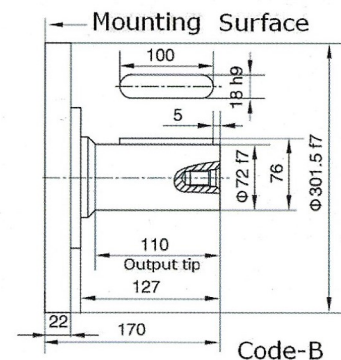
Spline shaft (mm)

Code of shaft	Dia. of axle	Shaft parameter	Output tip length
Code-A	$\Phi 92$	10-92 \times 82 \times 12	110
Code-A1	$\Phi 88$	10-88 \times 80 \times 12	95
Code-A2	$\Phi 82$	10-82 \times 72 \times 12	112
Code-A3	$\Phi 92$	10-92 \times 82 \times 12	119.5



Key shaft (mm)

Code of shaft	Dia. of axle	Shaft parameter	Output tip length
Code-B	$\Phi 85$	24 \times 120	131
Code-B1	$\Phi 101.5$	25.4 \times 145	180
Code-B2	$\Phi 85$	24 \times 90	120
Code-B3	$\Phi 101.6$	25.4 \times 145	108
Code-B4	$\Phi 85$	24 \times 140	149



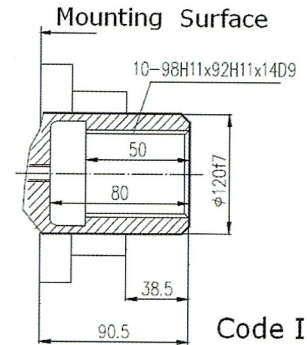
Other popular name : **NHM/IHM/JMDG-31**

Shaft Selection

Female spline shaft

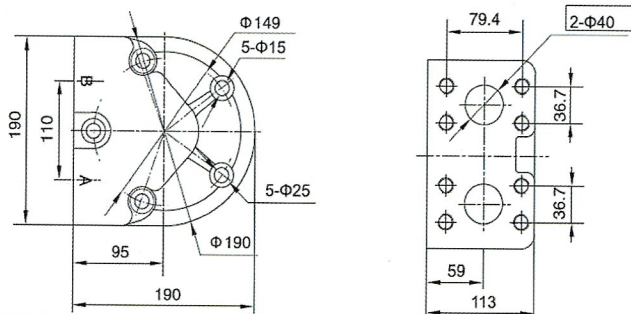
(mm)

Code of shaft	Dia. of axle	Shaft parameter	
Code-I	Φ120	10-98×92×14	
Code-I1	Φ150	10-98×92×14	



Oil distributor

D90



Parameters

TYPE	Displacement (ml/r)	Pressure(Mpa)		Torque(N.m)		Speed range (r/min)	Max.cont. Power (r/min)	Weight (kg)
		peak pressure	cont. pressure	Rate torque	Theoric Torque			
IAM -2500-H6	2550	32	25	9523	405	1-200	150	325
IAM -2800-H6	2826	32	25	10559	443	1-200	150	325
IAM -3000-H6	3050	25	20	9135	485	1-200	140	325
IAM -3150-H6	3142	25	20	9392	500	1-200	140	325
IAM -3500-H6	3419	25	20	10220	544	1-200	140	325
IAM -4000-H6	4170	25	20	12841	665	1-160	130	325
IAM -4500-H6	4522	20	16	10698	669	1-160	130	325
IAM -5000-H6	5190	20	16	12387	825	1-160	130	325